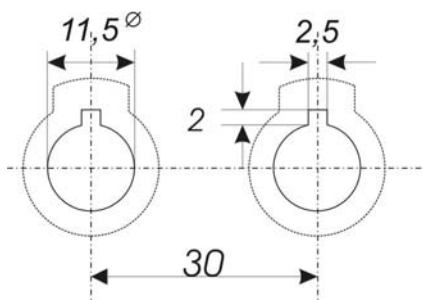


<sup>1)</sup> Torx is a registered trademark of Camcar Textron  
WBT is a registered trademark of WBT GmbH

Table of contents		
1	Base element Cu alloy	1
2	Adjusting nut Cu alloy	1
3	Compression pad Cu alloy	1
4	Locking screw, Cu alloy M1,6 x 3 DIN 84	1
5	Double step washer, PA with square socket and tappet, red, white or black	1
6	Marking ring, PA red, white or black	1
7	Insulating puzzle lock washer, PC, black	1
8	Torx <sup>®</sup> screw, Ms M4 x 7	1
9	Counternut, Ms	1
10	Optional fan-shaped washer, Bz (WBT-9150)	1
Extent of delivery: 1 to 9 (10 optional) enduser version: 1 to 6, 8+9 mounted OEM-version: 1 to 4, 6 mounted		
Revision date 14.08.2007		

### WBT-0702.12 Signature High Current Pole Terminal (US Patent-No. 5,226,841)



Drilling scheme



- Mechanics**
    - single-segment, low-tolerance contact elements (tol. less than ± 0.02 mm)
    - solid basic element with 4-mm boring and collet chuck for banana plug and internal screw box with cross boring for direct cable connection.
    - adjusting nut with fine thread for optimum contact pressure
  - Materials**
    - all solid parts made of highly ductile copper alloy
    - insulating material: polyamide PA 6 (10% glass fibre), red, white or black; polycarbonate PC (30% glass fibre), black
  - Surfaces:**
    - polished, direct Platinum plating (Pt 0.5 µm), Ni-free, non-magnetic
  - Operating characteristics**
    - continuous current  $I_D \geq 100$  A
    - peak current  $I_S \geq 300$  A
    - contact resistance  $R_0 \leq 0.07$  mOhm
    - volume resistance  $R_B \leq 0.002$  mOhm
    - isolation resistance  $R_{iso} > 10^{10}$  Ohm
  - Outlines**
    - length, over all: L = 58 mm
    - overhang: L<sub>o</sub> = 32.9 mm
  - Connection options**
    - Internal connection (for cables up to 10 mm<sup>2</sup>/AWG 7):
      - soldering version
      - crimping version
    - external connection:
      - for (crimped) cable ends up to 6 mm<sup>2</sup> (AWG 9) using adjusting nut (2)
      - for spade lugs (with 6- and 8-mm contact fork)
      - for 4-mm banana plugs,
  - Mounting**
    - single: boring: dia. 11.5+0.2 mm with 2.5x2 nut for twist protection (see drilling scheme left)
    - as double pole terminal with recommended spacing of 30mm as shown left
    - Recommended tightening torque for the counter nut (9): 8.5 Nm
    - WBT also offers special parts and information hereto. Please ask us!
- New:** WBT mounting plates made of aluminium, mono- and bi-wiring plates equipped with WBT terminals are also available.
- Safety instruction:** within the EU territory WBT-0702 must not be used without the safety-stick (WBT-0799) (to provisionally close the 4-mm banana-boring).

WBT-0702.12  
RoHS compliant